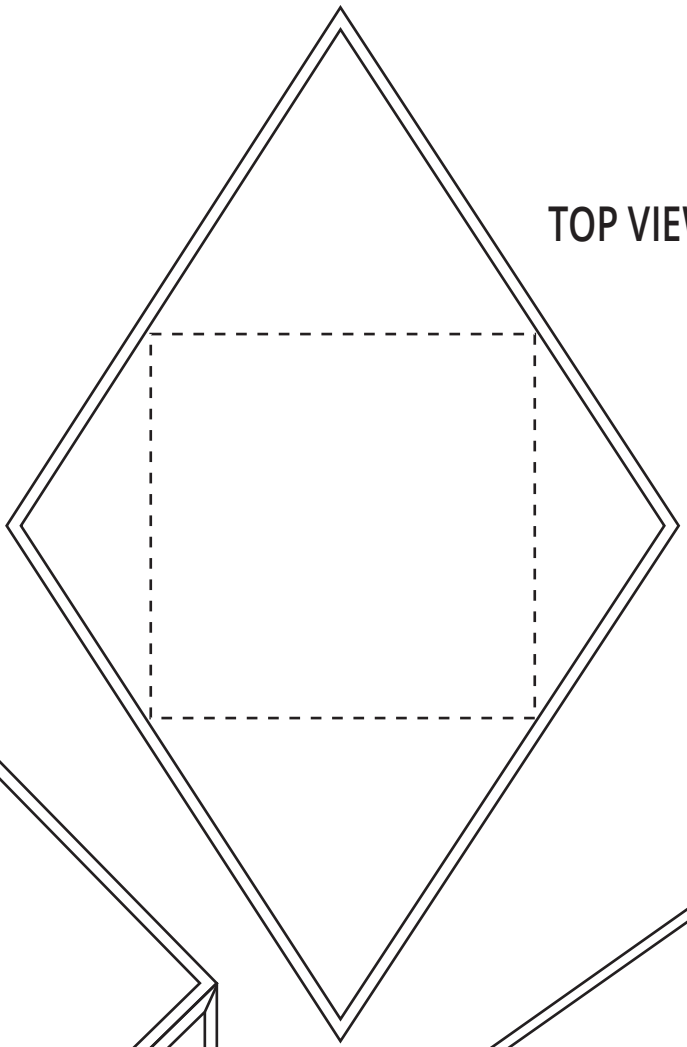
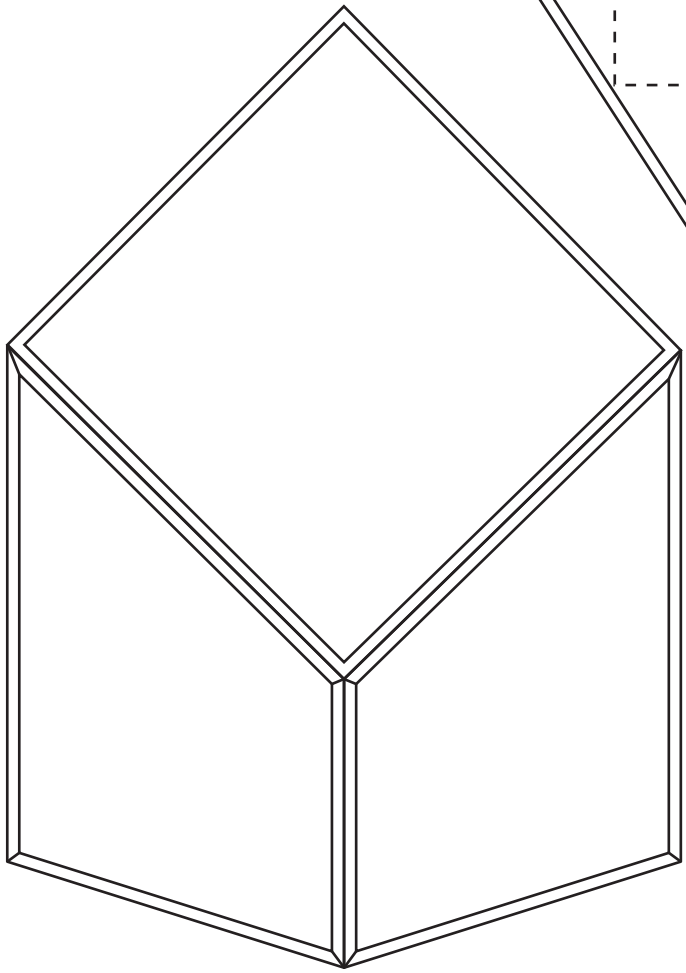


#4020 FRONT SIDE/TOP ETCHED

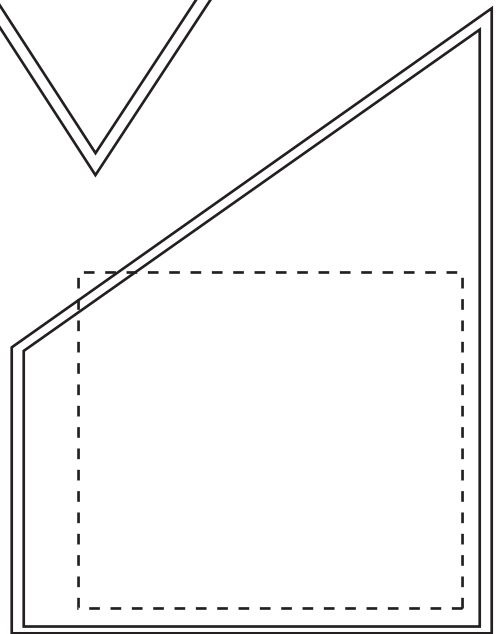
MAXIMUM ETCHING AREA
TOP 2" H X 2" W
BOTTOM 1.75" H X 2" W



TOP VIEW



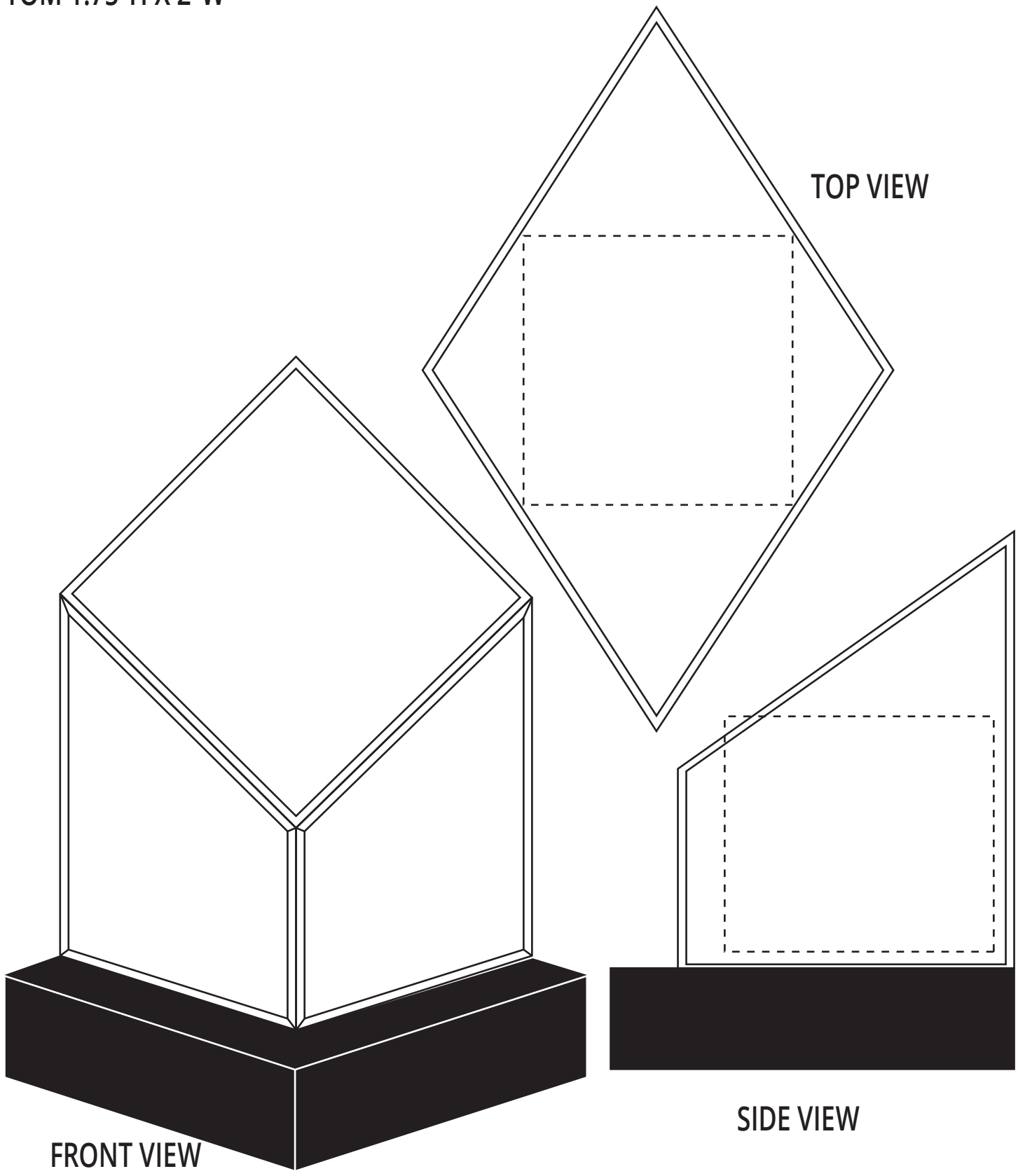
FRONT VIEW



SIDE VIEW

#4020K FRONT SIDE/TOP ETCHED

MAXIMUM ETCHING AREA
TOP 2" H X 2" W
BOTTOM 1.75" H X 2" W



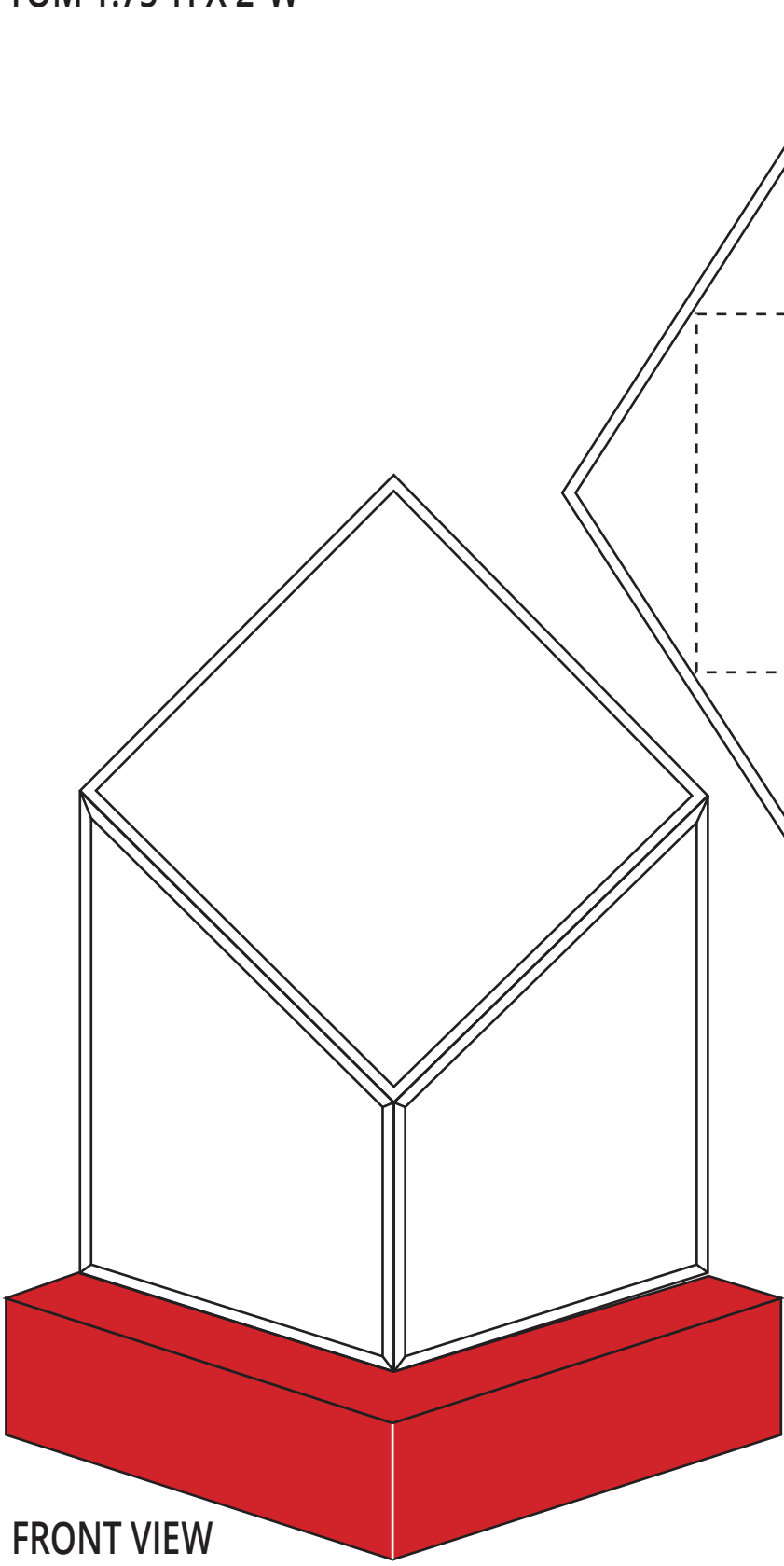
TOP VIEW

FRONT VIEW

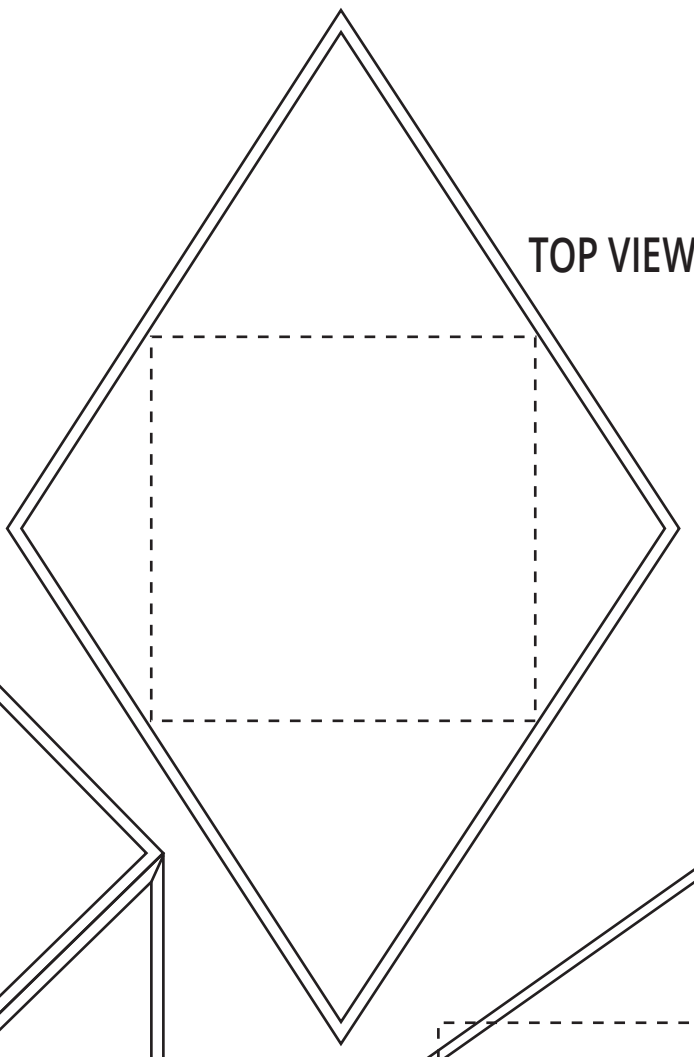
SIDE VIEW

#4020R FRONT SIDE/TOP ETCHED

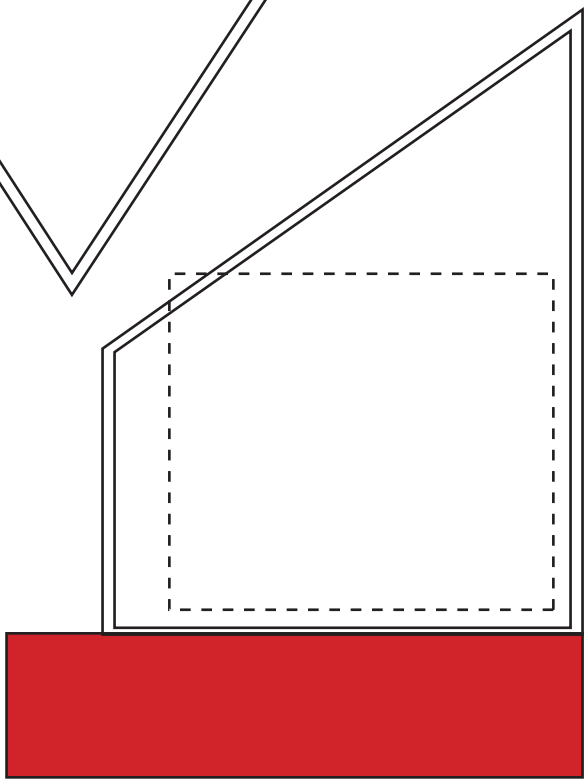
MAXIMUM ETCHING AREA
TOP 2" H X 2" W
BOTTOM 1.75" H X 2" W



FRONT VIEW



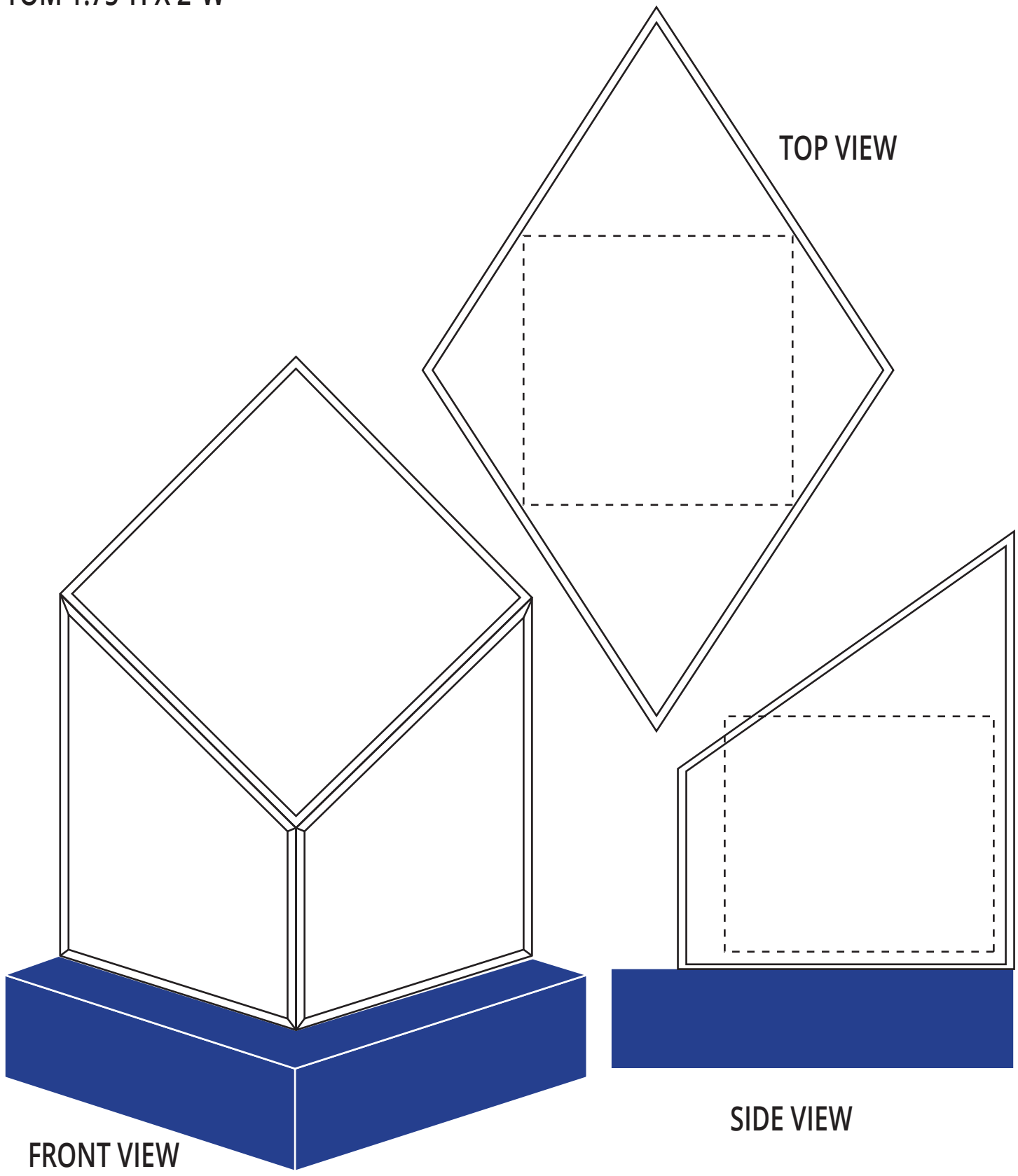
TOP VIEW



SIDE VIEW

#4020B FRONT SIDE/TOP ETCHED

MAXIMUM ETCHING AREA
TOP 2" H X 2" W
BOTTOM 1.75" H X 2" W



TOP VIEW

FRONT VIEW

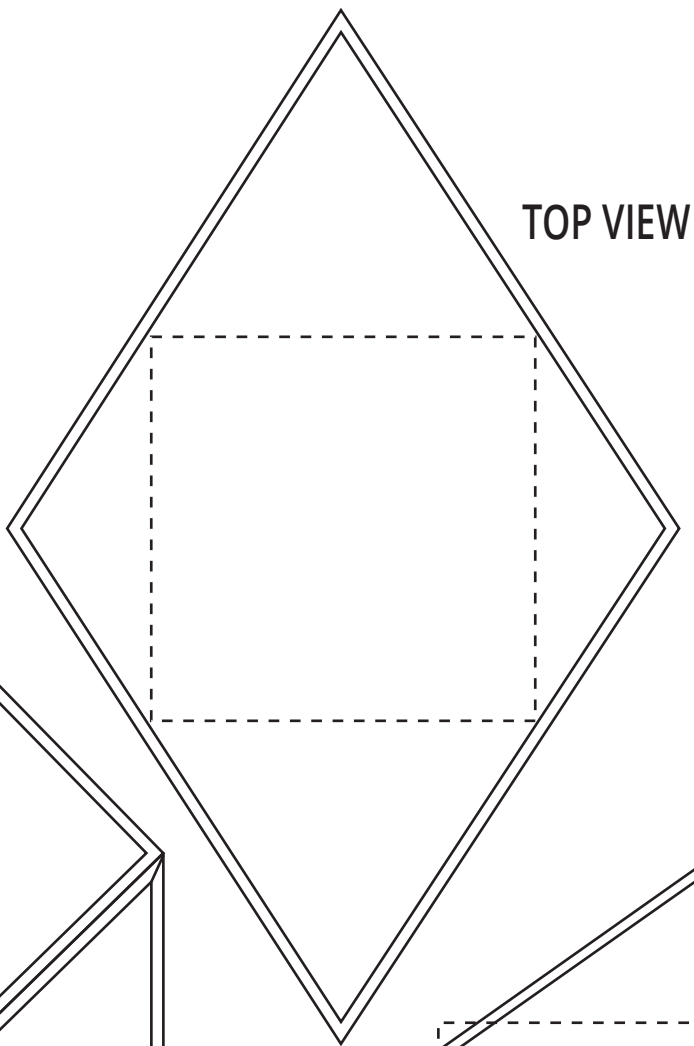
SIDE VIEW

#4020C FRONT SIDE/TOP ETCHED

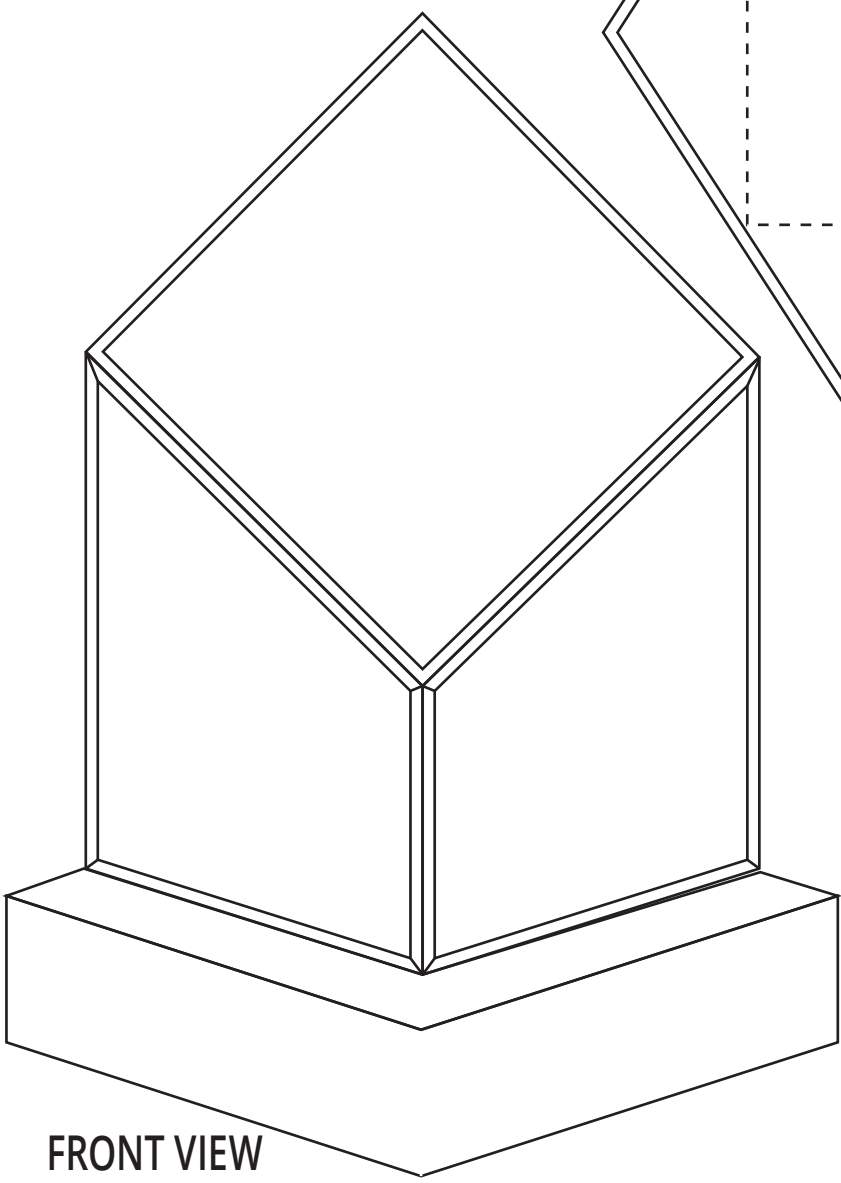
MAXIMUM ETCHING AREA

TOP 2" H X 2" W

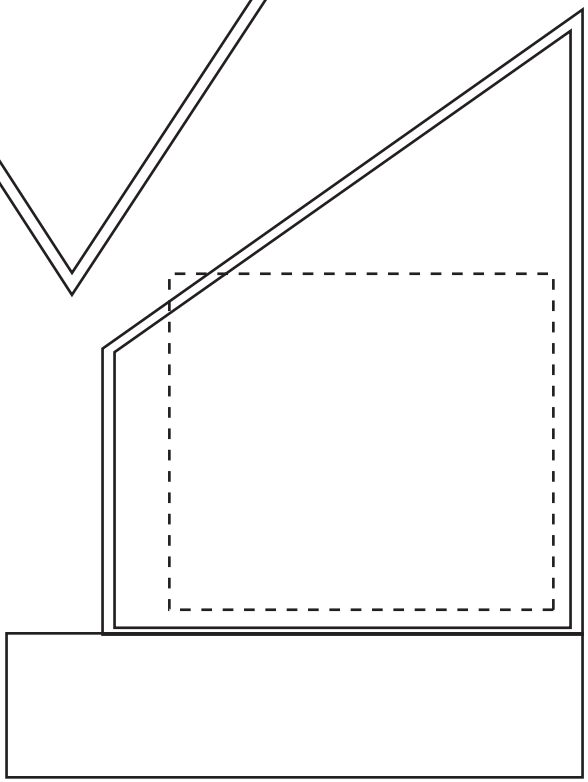
BOTTOM 1.75" H X 2" W



TOP VIEW



FRONT VIEW



SIDE VIEW